



# HSSB-22-16 Hobby-Shop Spray Booth

OPERATING INSTRUCTIONS AND REPLACEMENT PARTS  
(235 CFM, 115 Volts, 60 Cycle, .43 AMPS)

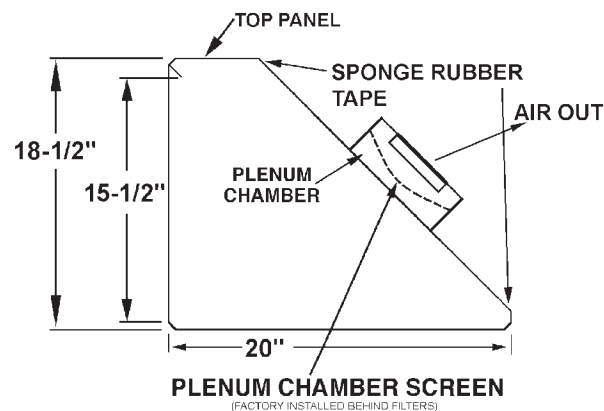
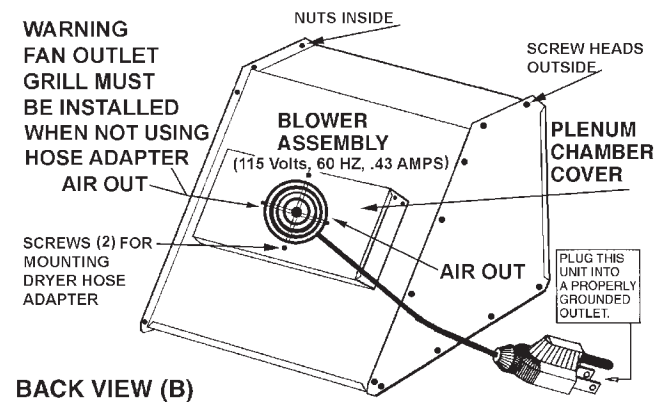
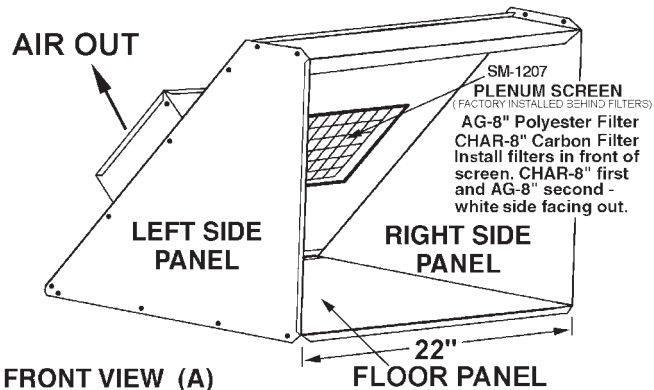
**WARNING:** Spray materials may be harmful if inhaled or allowed to come into contact with the skin or eyes. Consult the product label and Material Safety Data Sheet supplied for the spray material. Follow all safety precautions. Use HSSB to create a Well Ventilated Area to remove fumes, dust or overspray. Exhaust to the outside. Change filters frequently and dispose of in a safe manner. **Fan Outlet Grills Must Be Installed At All Times When Not Using Dryer Hose Adapter. Before spraying make sure air is blowing out of booth as shown below.**

### ASSEMBLY INSTRUCTIONS:

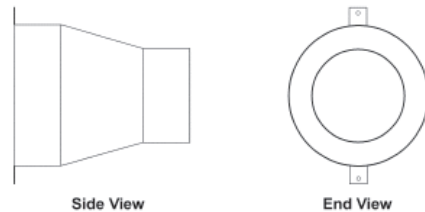
1. Assemble booth per instructions on the back of this sheet.
2. Place spray booth on a sturdy stable surface larger than its base (20" x 22") and capable of supporting 30lbs. or more.
3. The plenum chamber screen is factory installed from the front of the spray booth (Illustration C).
4. The CHAR-8" Carbon filter (black) and then the AG-8" paint filter (White) are factory installed into the plenum chamber so they are secured by the outer perimeter of the inlet to the plenum chamber (Illustration A).

### CAUTIONS:

1. Do not use this equipment in explosive atmospheres or near sparks, heat or open flame.
2. Plug the unit into 3 hole properly grounded outlet. Always un-plug the unit before assembly or disassembly of components or changing filters.
3. Note: Not intended for use with Hazardous Materials, Flammable or Explosive Paints or Materials
4. Protect the power cable from coming into contact with sharp edges, oil, grease, hot surfaces or chemicals.
5. Wiping or cleaning rags and other flammable waste materials must not be used near the motor when operating. Waste materials must be disposed of in a proper fashion.
6. Do not remove the Fan Outlet Grill. The fan blade is sharp and can cause serious injury if contacted while running. Use Fan Outlet Adapter for exhausting to the outside.
7. This unit is intended to remove larger particles from the air when painting small objects such as models and pottery. It will not remove all hazardous material from the air so caution should be taken when spraying materials that have strong vapors or harmful chemicals.
8. **When required, wear protective paint and vapor mask and vent the unit to the outside atmosphere using 4" dryer duct. Change booth filters frequently.**



4" Dryer Hose Adapter for Outside Exhaust Connection. Secure Adapter using two vertical screw holes on Blower Assembly - horizontal screw holes hold the Fan - do not remove.



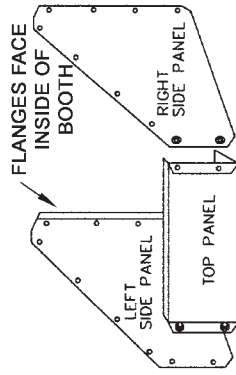
**Paasche Airbrush Company**  
9511 58th Place  
Kenosha, WI 53144  
Phone: 773-867-9191 • Fax: 773-867-9198  
Website: [www.paascheairbrush.com](http://www.paascheairbrush.com)  
E-Mail: [info@paascheairbrush.com](mailto:info@paascheairbrush.com)

# BOOTH ASSEMBLY INSTRUCTIONS

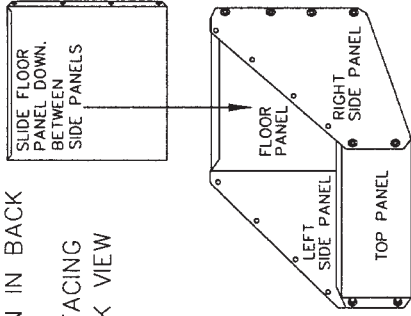
A PHILLIPS SCREW DRIVER IS REQUIRED TO TIGHTEN SCREWS.  
ALL 20 SCREW HEADS FACE OUTSIDE OF BOOTH.

- 1) FOR EASE OF ASSEMBLY, POSITION TOP AND SIDE PANELS AS SHOWN IN STEP 1. SECURE WITH 4 SCREWS AND NUTS AS SHOWN.
- 2) ASSEMBLE FLOOR PANEL AS IN STEP 2.

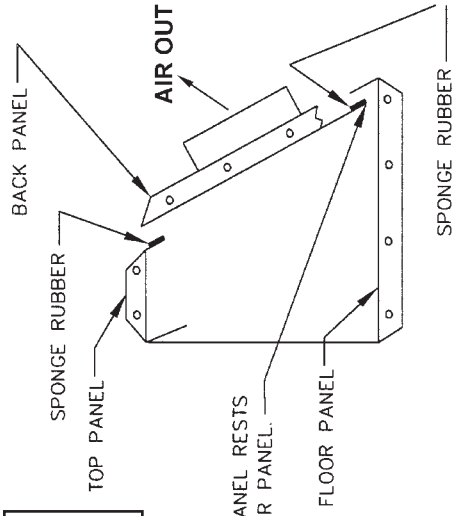
- 3) APPLY A ROW OF SPONGE RUBBER TAPE ALONG FLANGE OF TOP PANEL AND BOTTOM OF BACK PANEL AS SHOWN IN BACK VIEW AND RIGHT SIDE DETAIL.
- 4) TIP ASSEMBLY INTO UPRIGHT POSITION (TOP PANEL FACING UP) AND ASSEMBLE BACK PANEL AS SHOWN IN BACK VIEW AND RIGHT SIDE DETAIL.



STEP 1



STEP 2

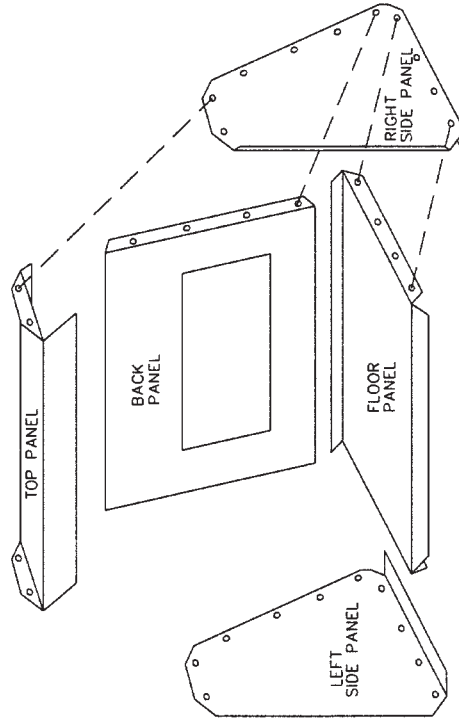


IMPORTANT NOTE:

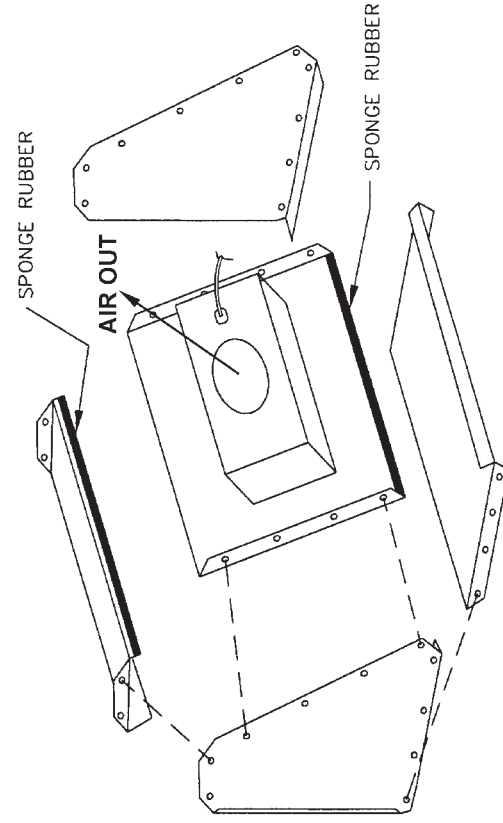
LOWER END OF BACK PANEL RESTS INSIDE FLANGE OF FLOOR PANEL.

RIGHT SIDE DETAIL

**CAUTION! MAY BE SHARP EDGES - BEFORE SPRAYING MAKE SURE FAN EXHAUST IS BLOWING OUT OF BOOTH**



FRONT VIEW



BACK VIEW